

**AXOR Carlton**  
**Single lever basin mixer 70 with pop-up waste set**  
 Surfaces: **Chrome** Article Number: **17010000**



## Description

### product features

- consists of: single lever basin mixer, waste set
- ComfortZone 70
- projection 115 mm
- normal spray
- flow rate at 3 bar: 5 l/min
- ceramic cartridge
- temperature limitation adjustable
- suitable for continuous flow water heaters
- pop-up waste set G 1¼
- connection dimension: DN15
- P-IX 9379/IA
- ACS 17 ACC LY 655, valide jusqu'au 20.06.2022
- WRAS 1406311
- JWWA C-501
- KCW-2018-0161\_WTM
- SINTEF 1743

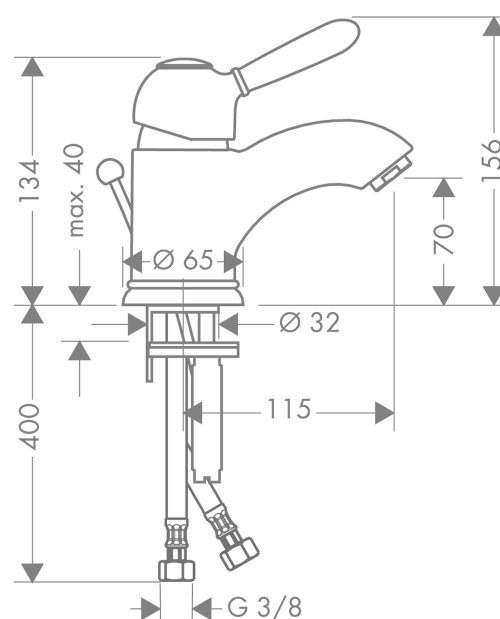
## Technology



## Product image



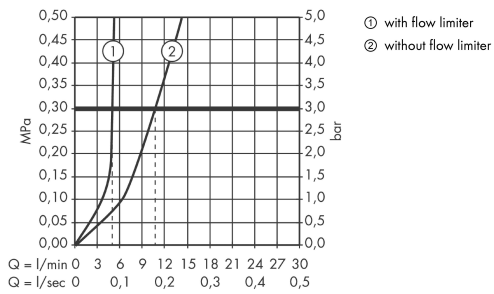
## Scale drawing



**AXOR Carlton**  
**Single lever basin mixer 70 with pop-up waste set**  
 Surfaces: **Chrome** Article Number: **17010000**



## Flowchart

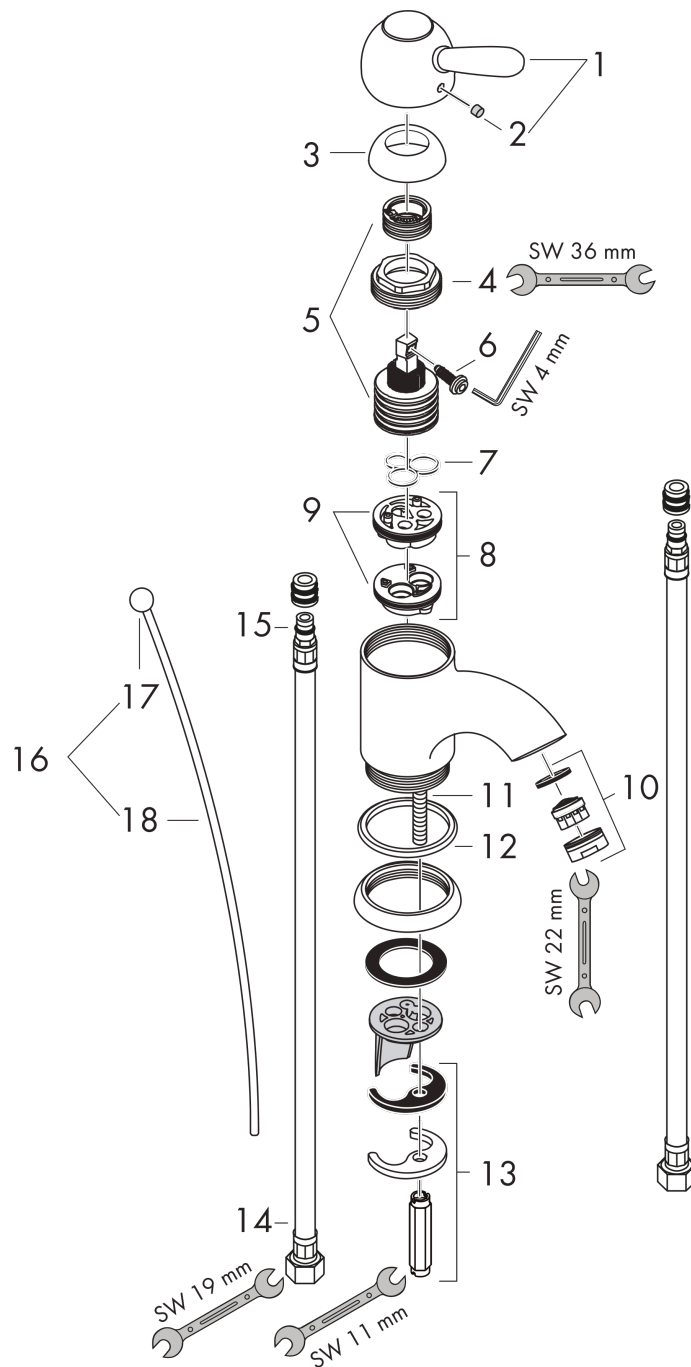


**AXOR Carlton**  
**Single lever basin mixer 70 with pop-up waste set**  
 Surfaces: **Chrome** Article Number: **17010000**



## Exploded Drawing

Year of production: >10/10



**AXOR Carlton**  
**Single lever basin mixer 70 with pop-up waste set**  
 Surfaces: **Chrome** Article Number: **17010000**



## Spare part list

Year of production: >10/10

Pos.	Description	Article Number	PC	PU
1	handle	17092000	15	1
2	screw cover	96338000	1	1
3	flange	94192000	6	1
4	nut	94194000	7	1
5	cartridge, assy	92730000	11	1
6	locking screw for handle	95140000	2	1
7	seal	95008000	3	1
8	adapter for cartridge	97762000	4	1
9	O-ring 35x2,5	96006000	1	1
10	aerator M24x1 (5 l/min)	13185000	98	1
11	screw M8 x 68	97736000	2	1
12	deco-ring	97957000	5	1
13	fixing set	96016000	8	1
14	connection hose 450 mm M8x0,75 G3/8	97206000	8	1
15	O-ring 7x1,5	98422000	1	1
16	pop up rod	92620000	8	1
17	diverter knob	94066000	3	1
18	pull rod	94067000	6	1
a	pop up waste	94139000	98	1
b	aerator M24x1 (3,5 l/min)	92508000	9	1
c	aerator M24x1 (4,5 l/min)	92877000	6	1
d	aerator swivelling M24x1 (5 l/min)	95928000	8	1